

ATB-EA Document No.

**2008-01**

CERN Div./Group or Supplier/Contractor Document No.

**AT/MCS, AB/ATB-SBA**

EDMS Document No.

**834729****CERN**CH-1211 Geneva 23  
Switzerland

Date: 28/07/08

**Technical Description****REPARTITION DES AIMANTS ET DES  
ALIMENTATIONS****SPS NORTH AREA****Abstract**

This document summarizes the layout and the cabling to the power supplies for the SPS North Area secondary beam magnets. It also serves as reference for the requests for "consignation" and "condemnation" during operations.

**Prepared by :****M.Ros-Francisca  
[AT/MCS]****Checked by :****AB/MCS  
AB/ATB-SBA  
AB/PO****Approved by :****I.Efthymiopoulos  
L.Gatignon  
B.Chauchaix  
Y.Gaillard  
J.P.Burnet  
D.Smekens  
F.Bordry  
S.Girod  
E.Gschwendtner****Distribution:****AB/ABP:** G.Arduini**AB/PO:** P.Bailly, A.Beuret, F.Bordry, D.Bozon, J.P.Burnet, O.Fournier, Y.Gaillard, X.Genillon, E.Ozturk**AB/OP:** K.Cornelis, CCC**AB/ATB:** B.Chauchaix, I.Efthymiopoulos, L.Gatignon, S.Girod, E.Gschwendtner, M.Lazzaroni, A. Pardons**AT/MCS:** J.Bauche, S.Cettour-Cave, P.Dahlen, G.Girardot, W.Kalbreier, M.Ros-Francisca, D.Smekens**SC/DI :** A.Faugier



## 1. UPDATES

Updates to the magnet/power-supply layout during the operations

### 1.1 MODIFICATIONS DUE TO NA63 EXPERIMENT

- 10.10.07 : **MBPL.022.498** is connected to NR21-19
- 10.10.07 : **MDXH.022.510** is connected to NR11-70
- 10.10.07 : **QPS.042.544** is disconnected

### 1.2 MODIFICATIONS DUE TO NA61 EXPERIMENT

#### 1.2.1 PARTIAL REMOVAL OF H2-VLE BEAM

- Elements removed : QPL.021.498, QPS.021.501, MBPL.021.503 , QPS.021.529, QPS.021.531
- New element : QNL.021.500 connected to NR13-04

Pour toutes modifications  
s'adresser à

MICHEL ROS-FRANCISCA  
163864

AT/MCS

Edité par M. ROS-FRANCISCA  
Date: 13/07/2008

**ZONE NORD  
LIGNE DES FAISCEAUX**

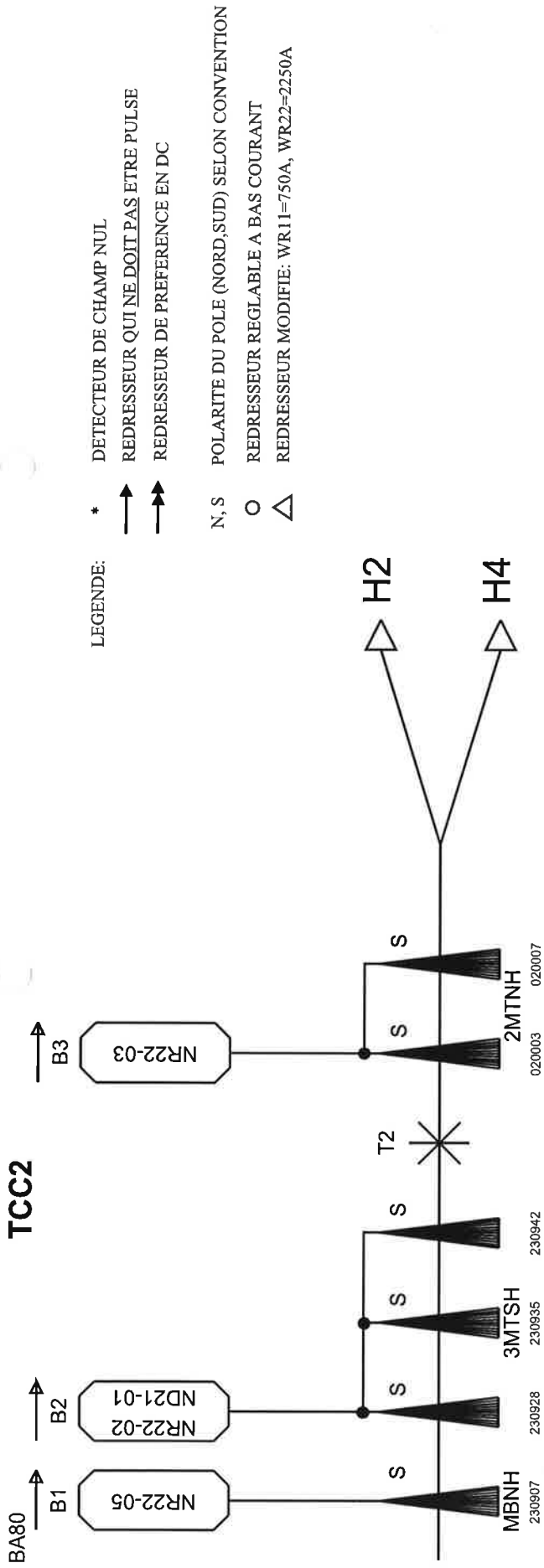
# **REPARTITION DES AIMANTS ET DES ALIMENTATIONS**

EDMS : 834729

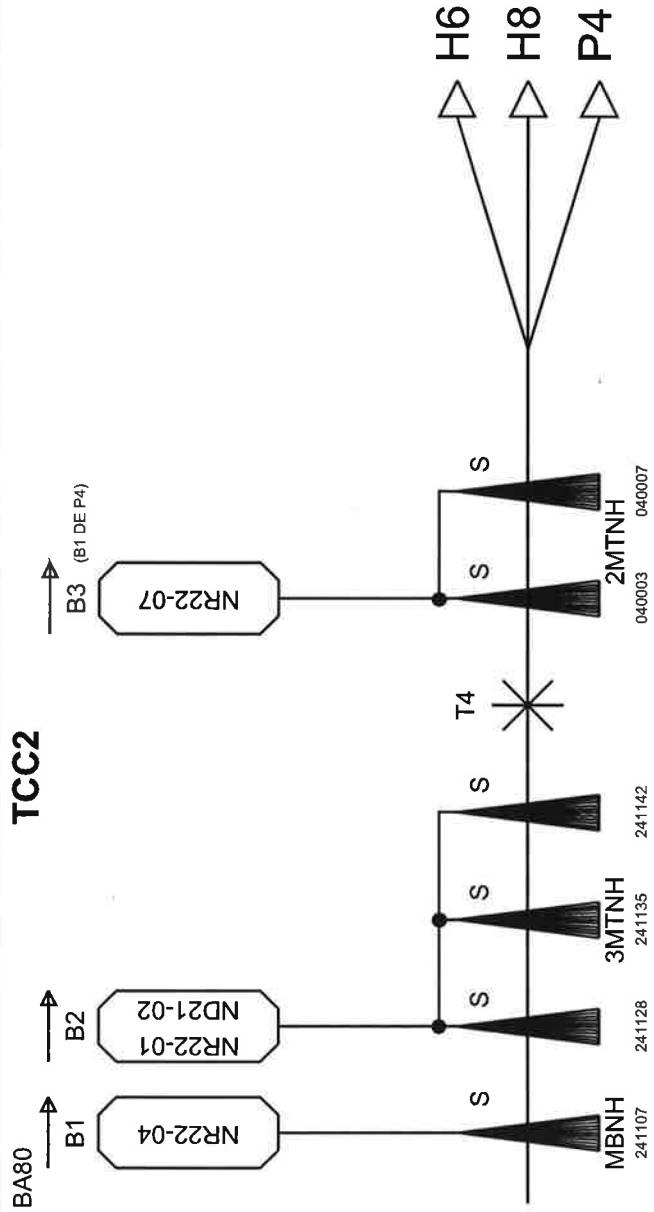
<https://edms.cern.ch/document/834729/1>

**juillet 2008**

## TCC2



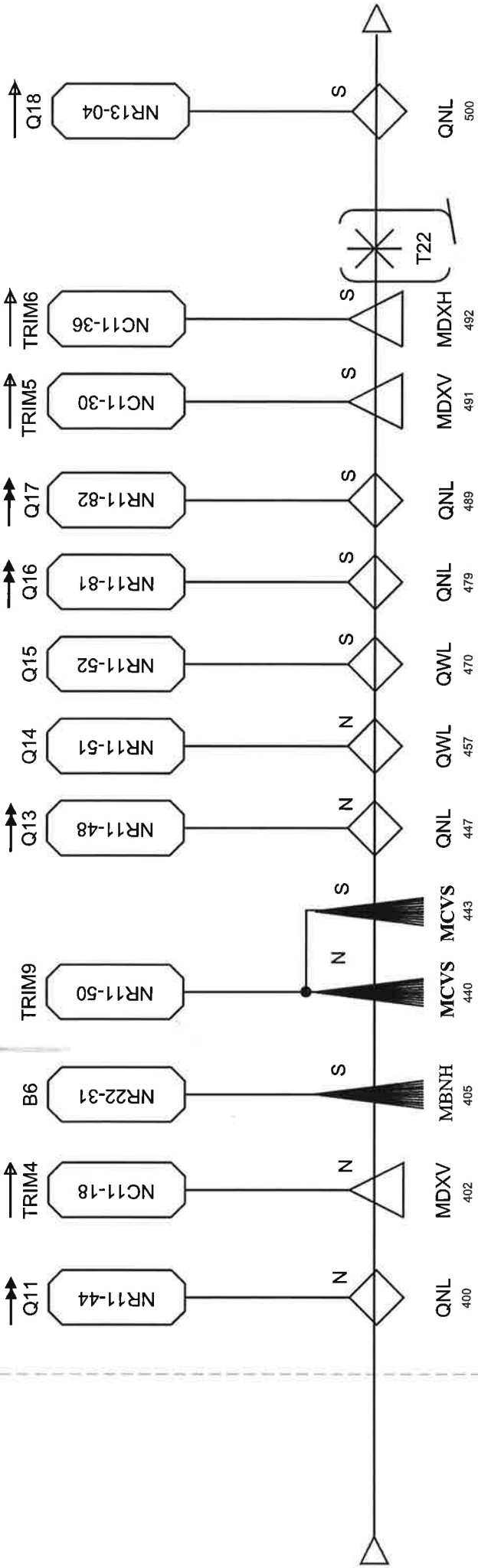
## TCC2





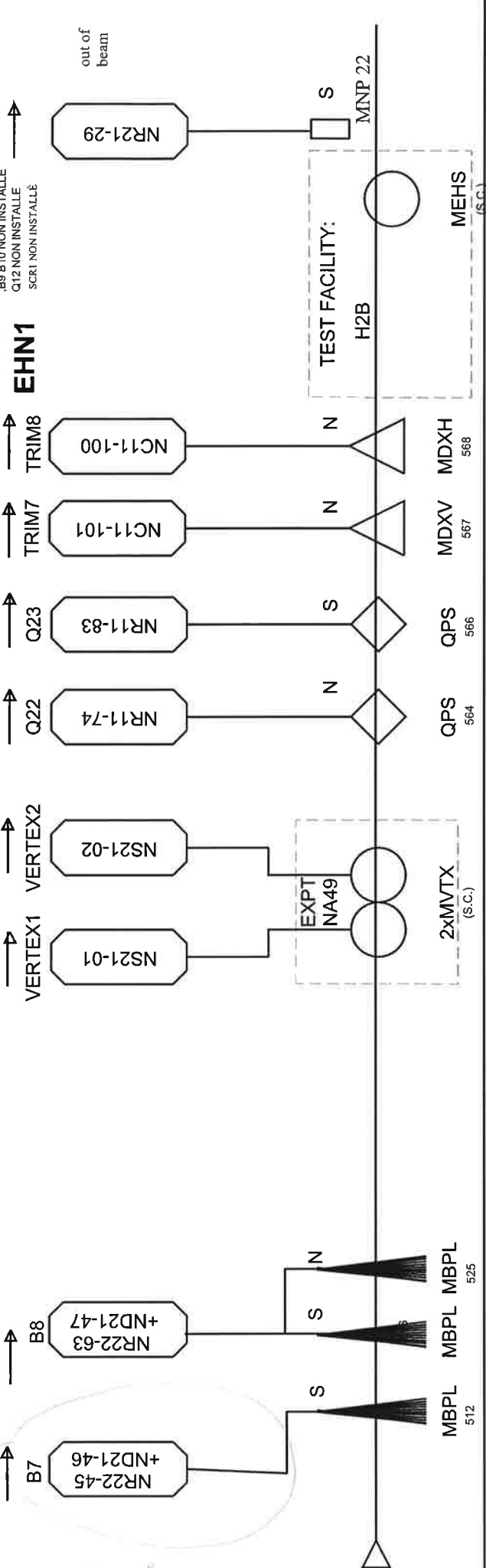
TT 82

EHN1



B9 B10 NON INSTALLE  
 Q12 NON INSTALLE  
 SCR1 NON INSTALLE

EHN1



# ZONE NORD - FAISCEAU H2 (2007)

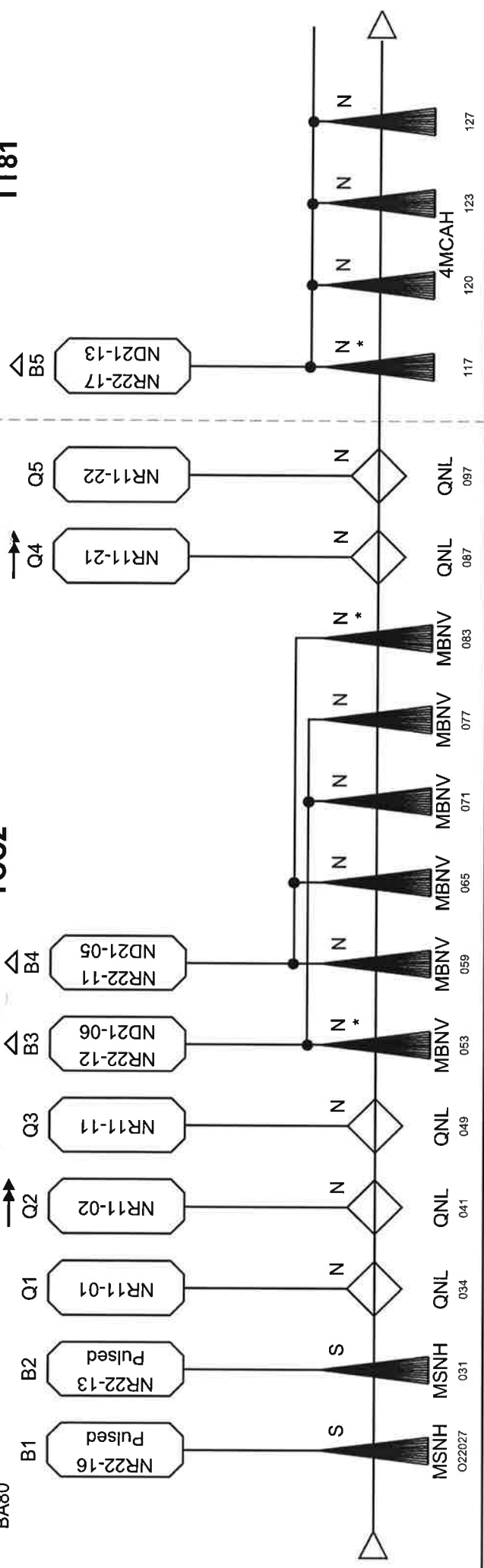
021...

04  
10/03/08

BA80

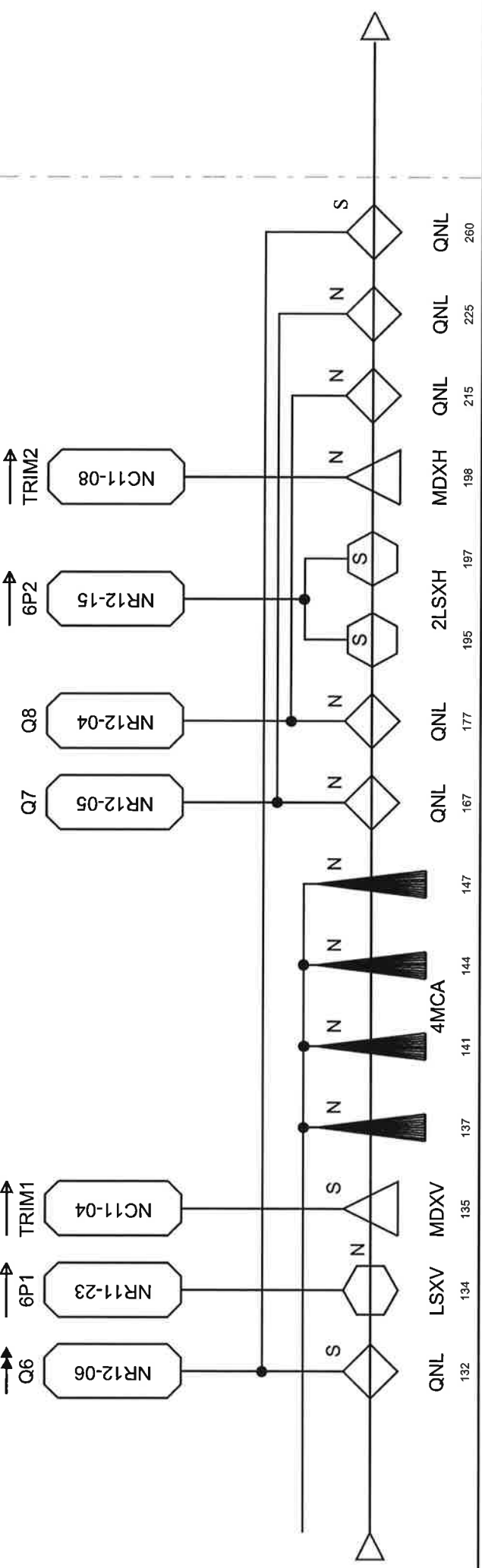
TCC2

TT81



TT81

BA80



# ZONE NORD - FAISCEAU H4 (2007)

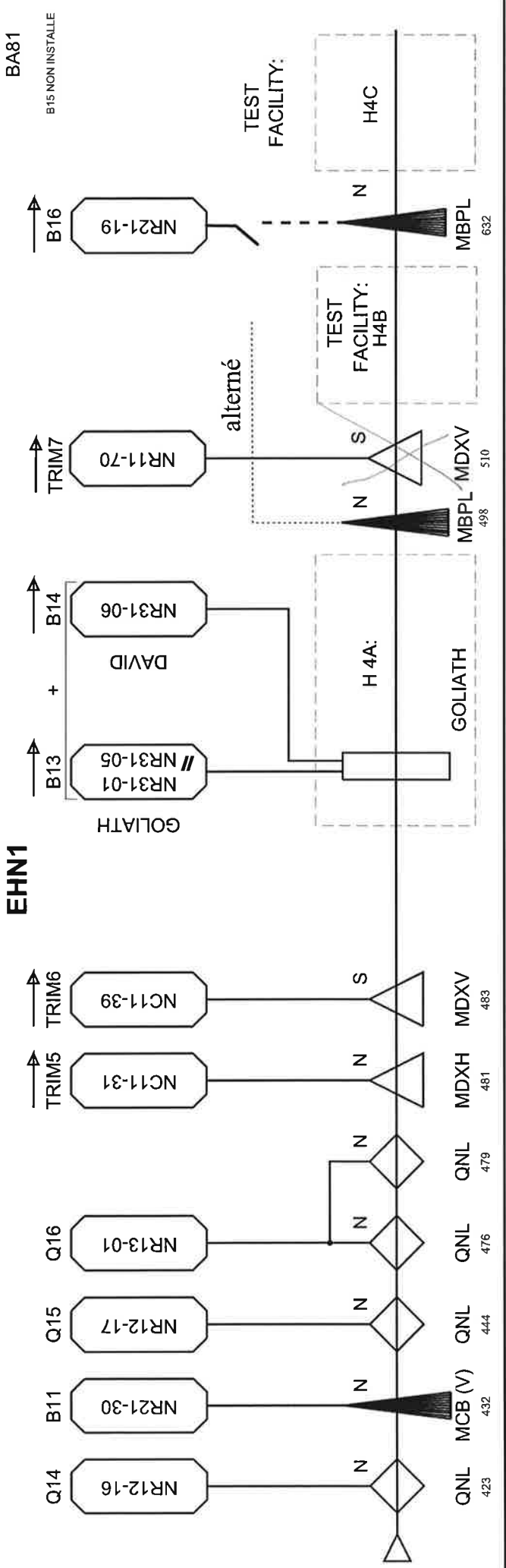
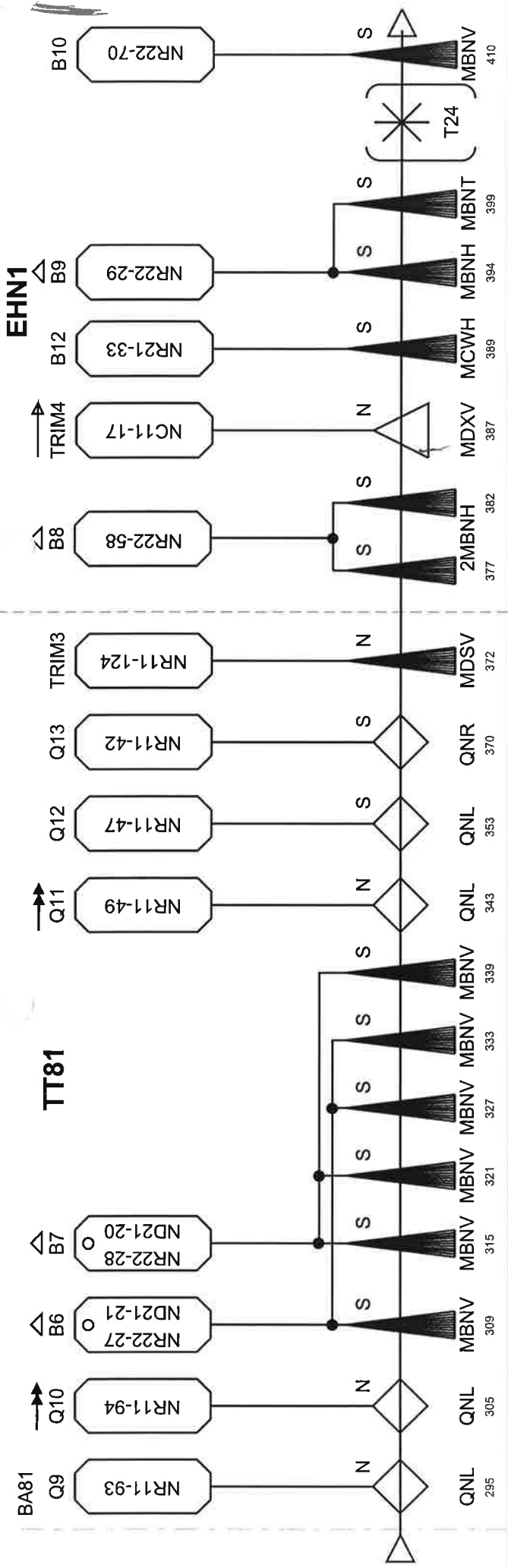
022...

10./04/08

1/2

05



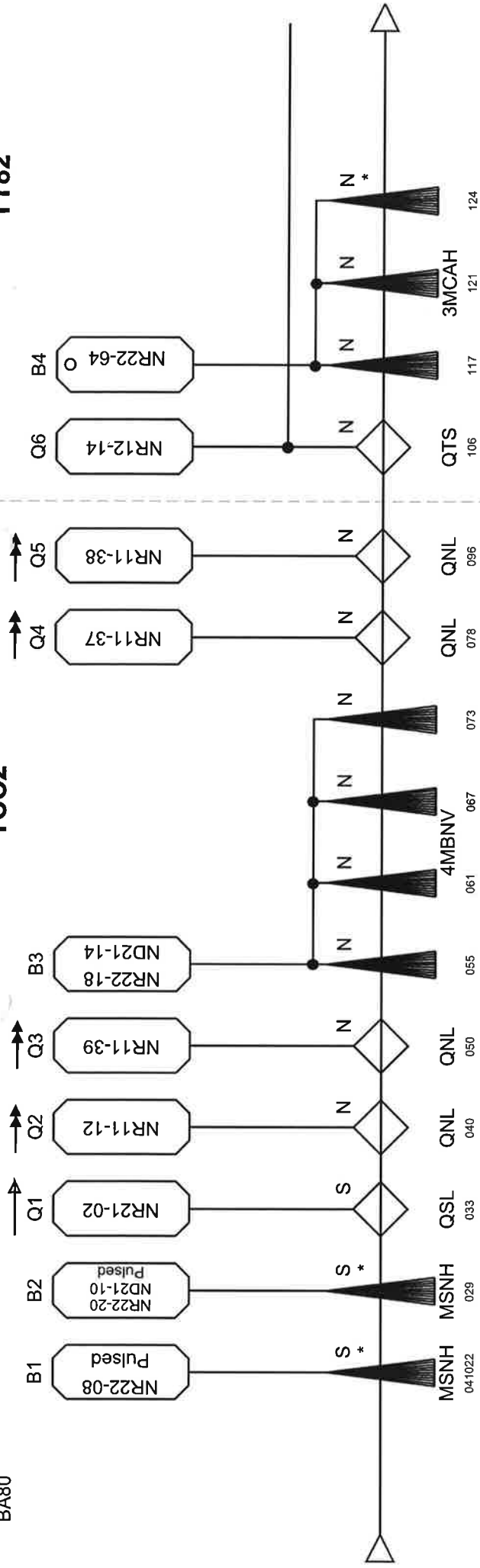


**ZONE NORD - FAISCEAU H4(2007)**

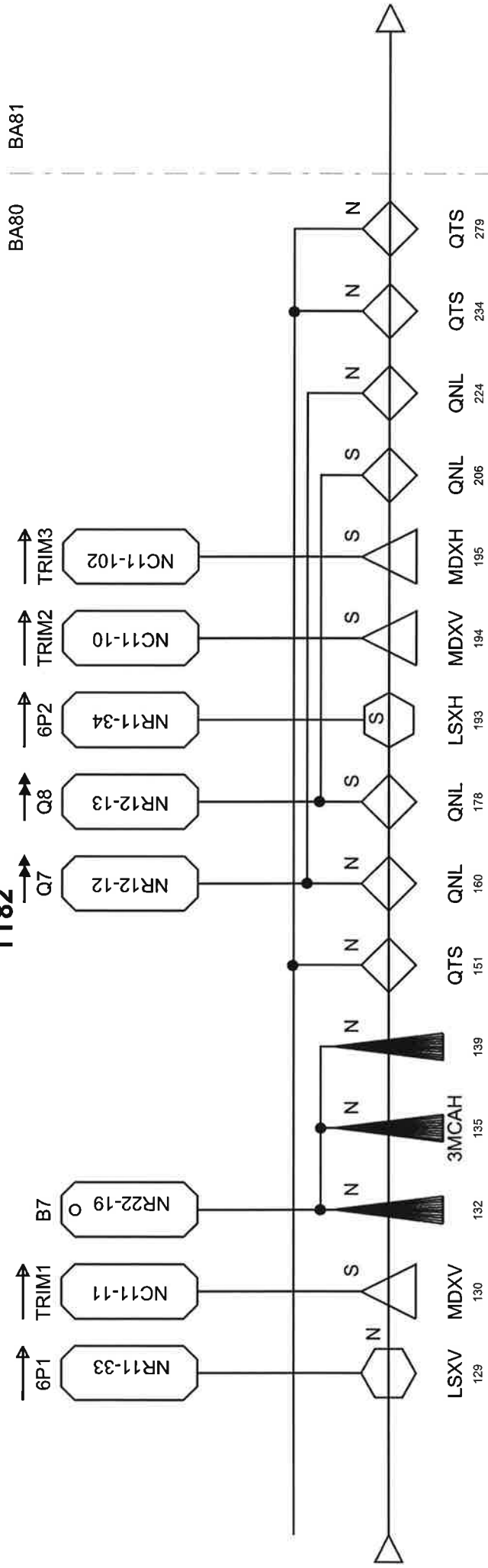
BA80

TCC2

TT82



TT82



# ZONE NORD - FAISCEAU H6 (2007)

041...

07

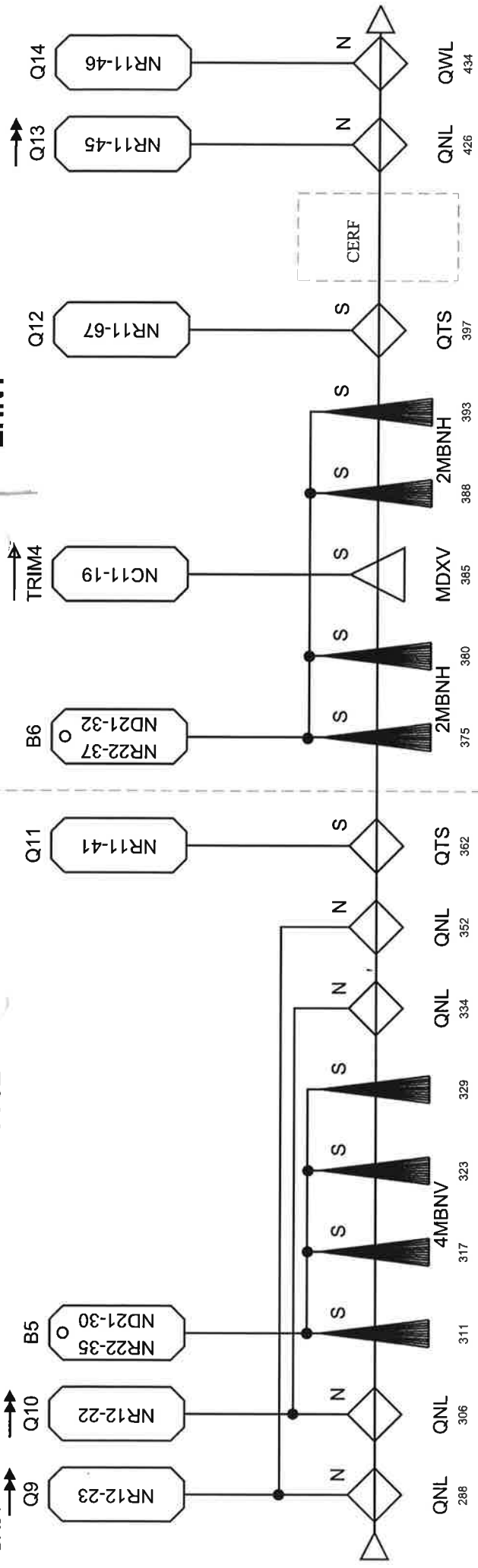
10/04/08

1/2

BA81

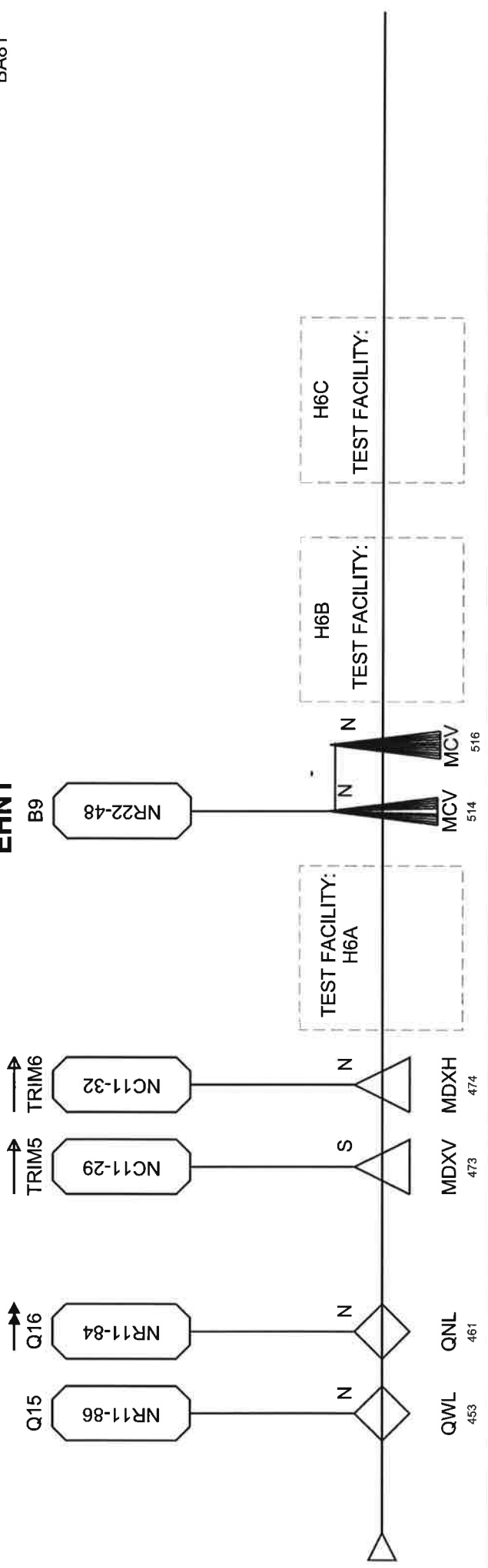
TT82

EHN1



EHN1

BA81



# ZONE NORD - FAISCEAU H6 (2007)

041...

10/04/08

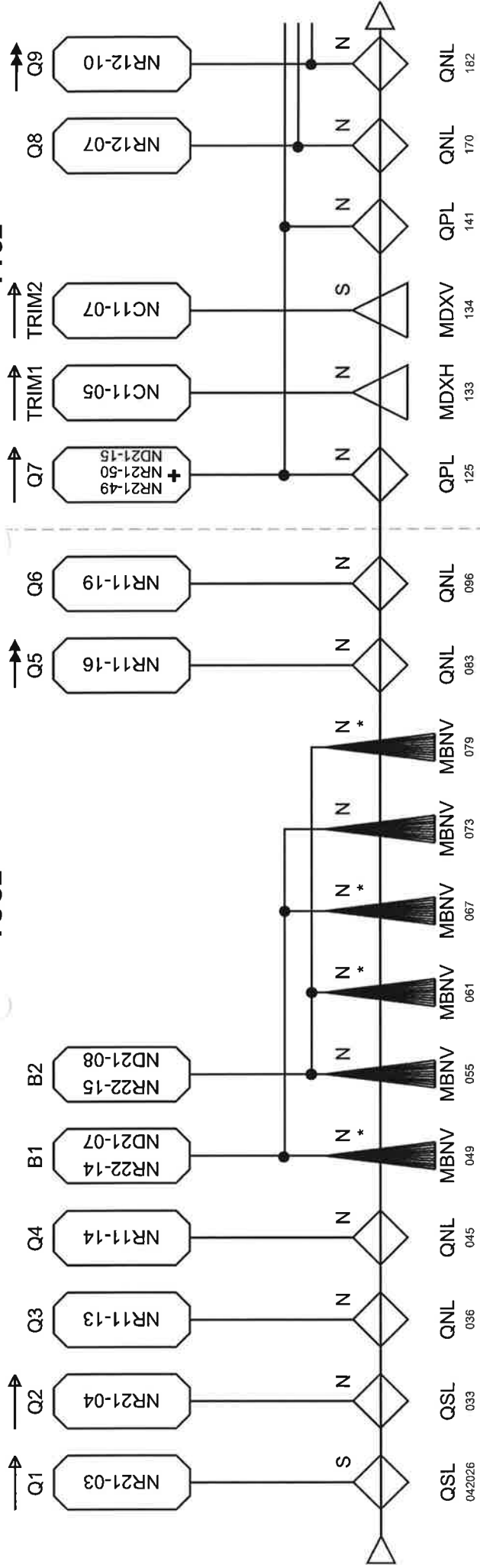
2/2

08

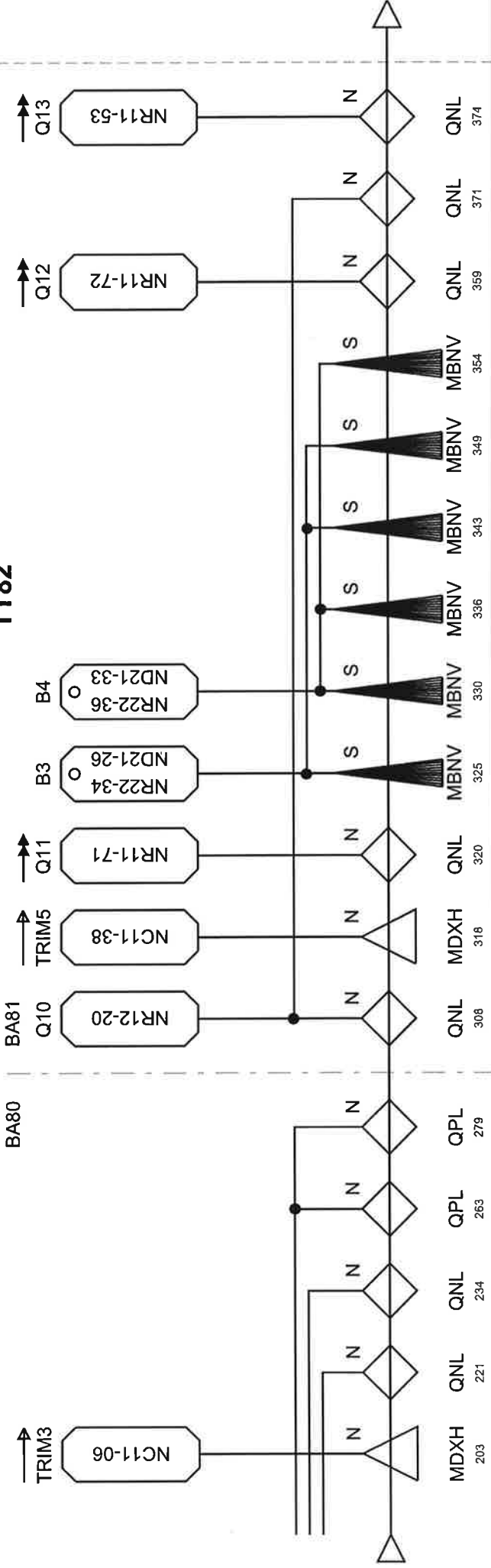
BA80

TCC2

TT82



TT82



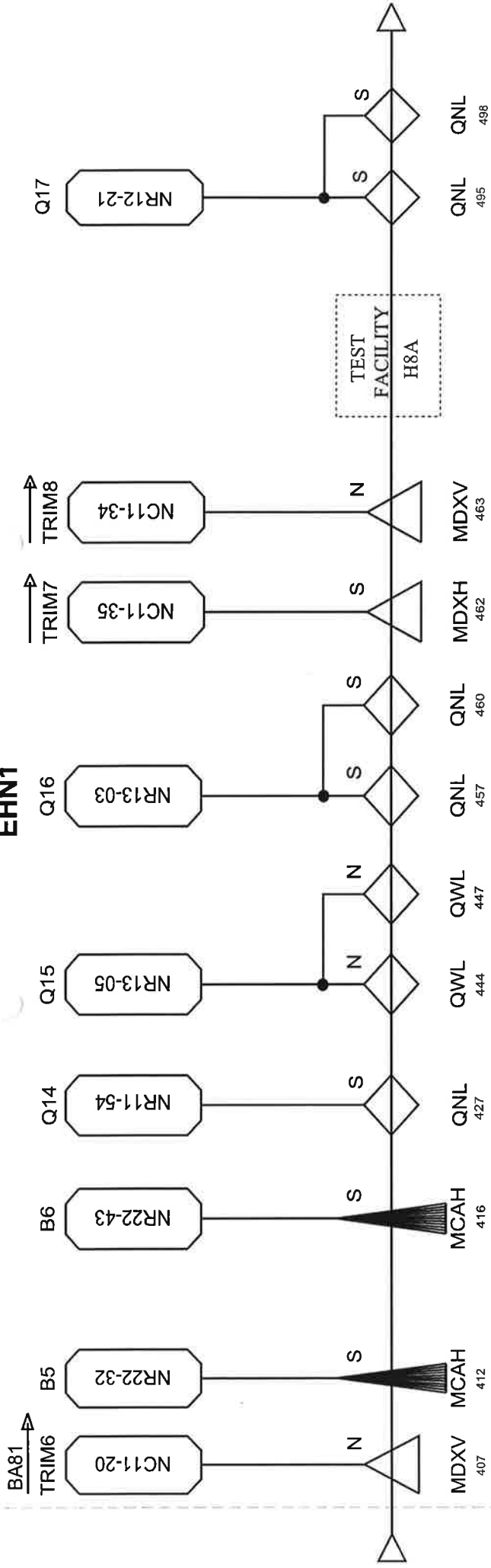
# ZONE NORD - FAISCEAU H8 (2007)

042...

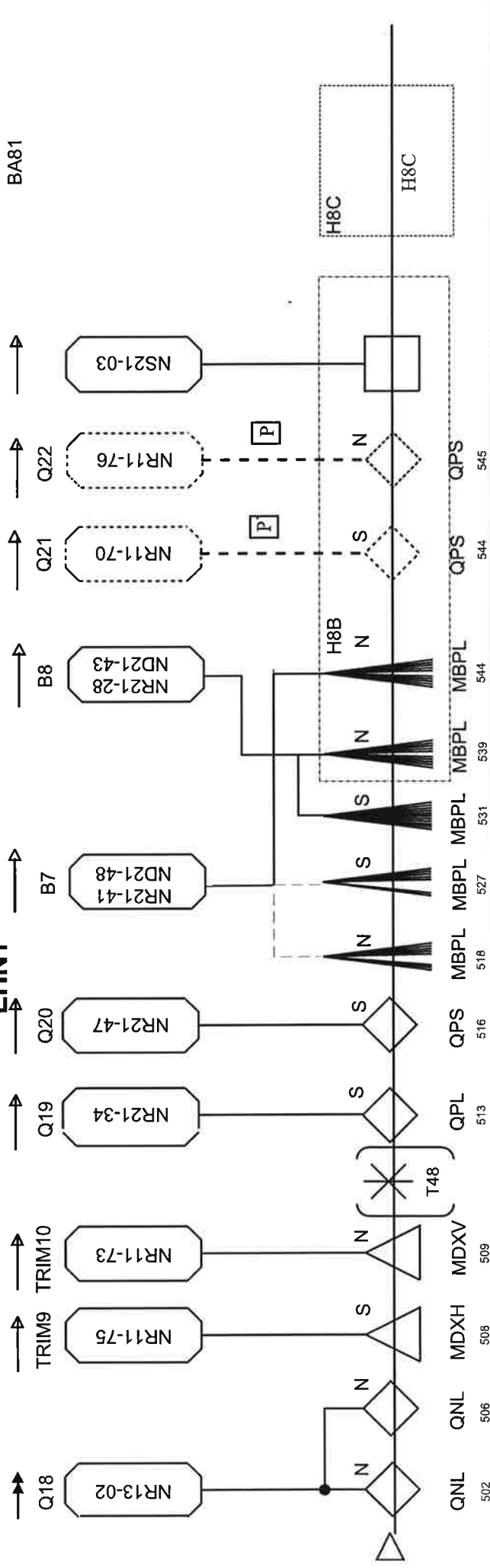
10/04/08

1/2

**EHN1**



**EHN1**

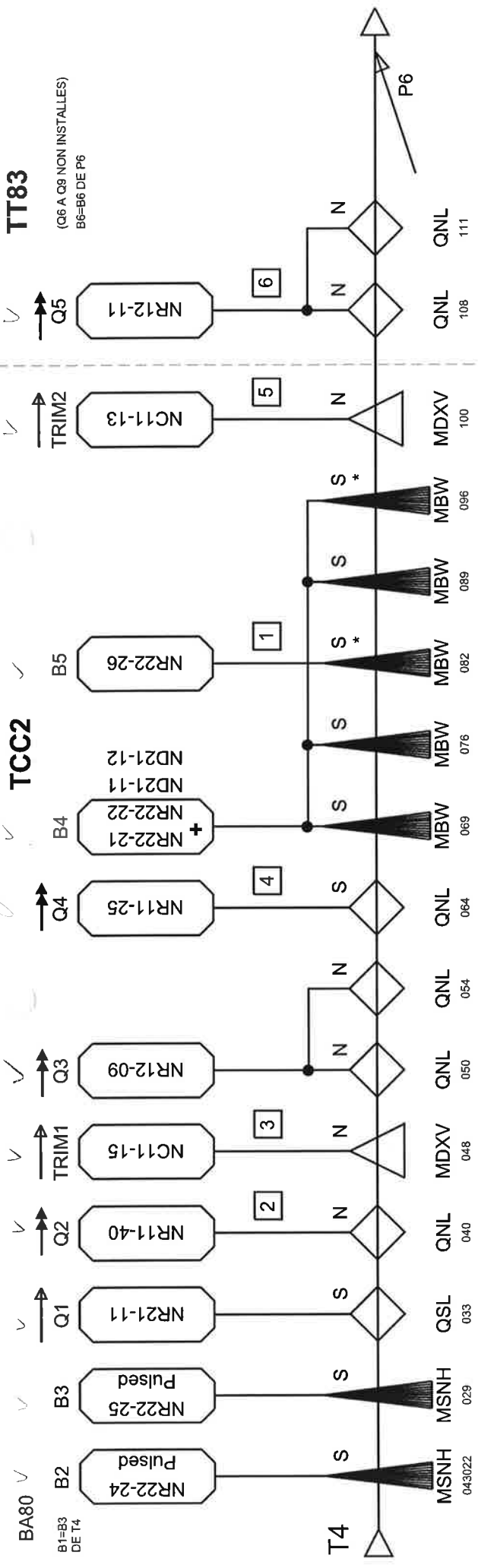


[P] = 'presently removed'

**- FAISCEAU H8 (2007)**

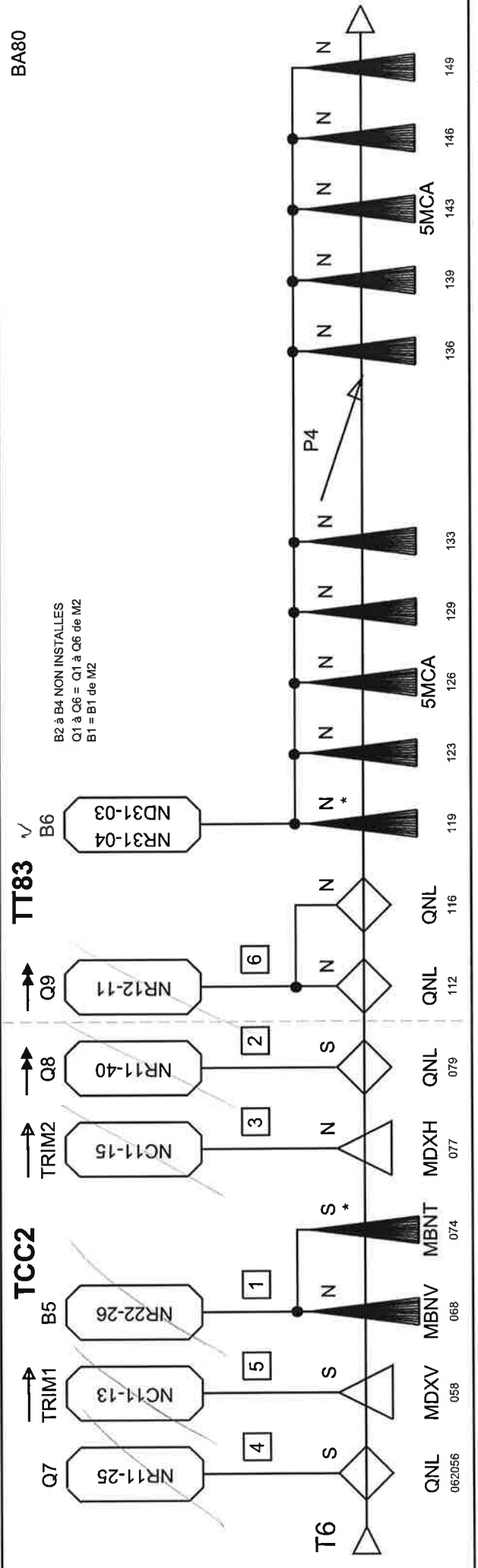
TEST AERA :H8A

042...



## ZONE NORD - FAISCEAU P4 (2006)

043...

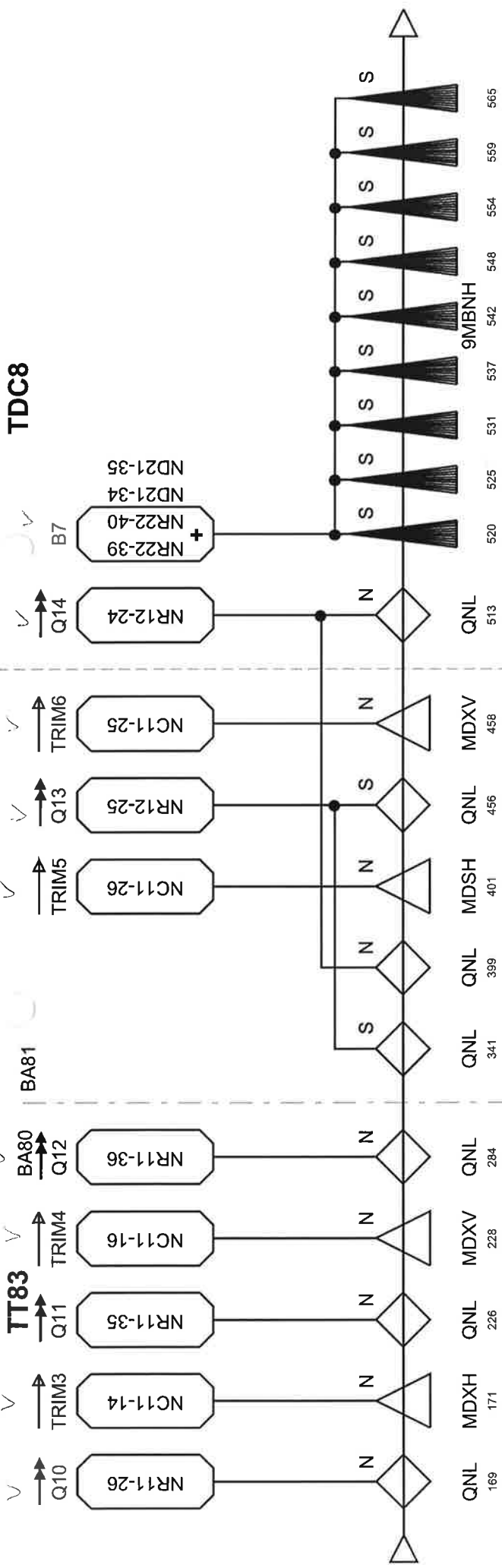


## ZONE NORD - FAISCEAU P6 (2007)

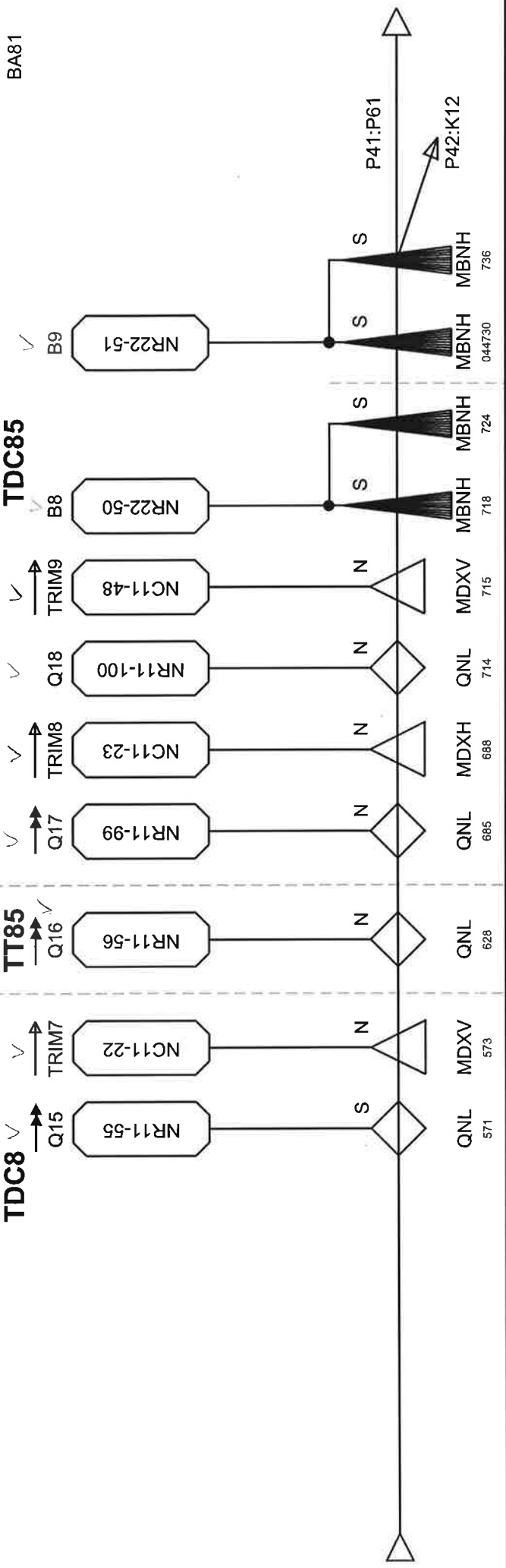
062...

1 FONCT. ALTERNE P4:P6

**TDC8**



**TDC85**



**ZONE NORD - FAISCEAU P4:P6 (2007)**

043...044

10/04/08

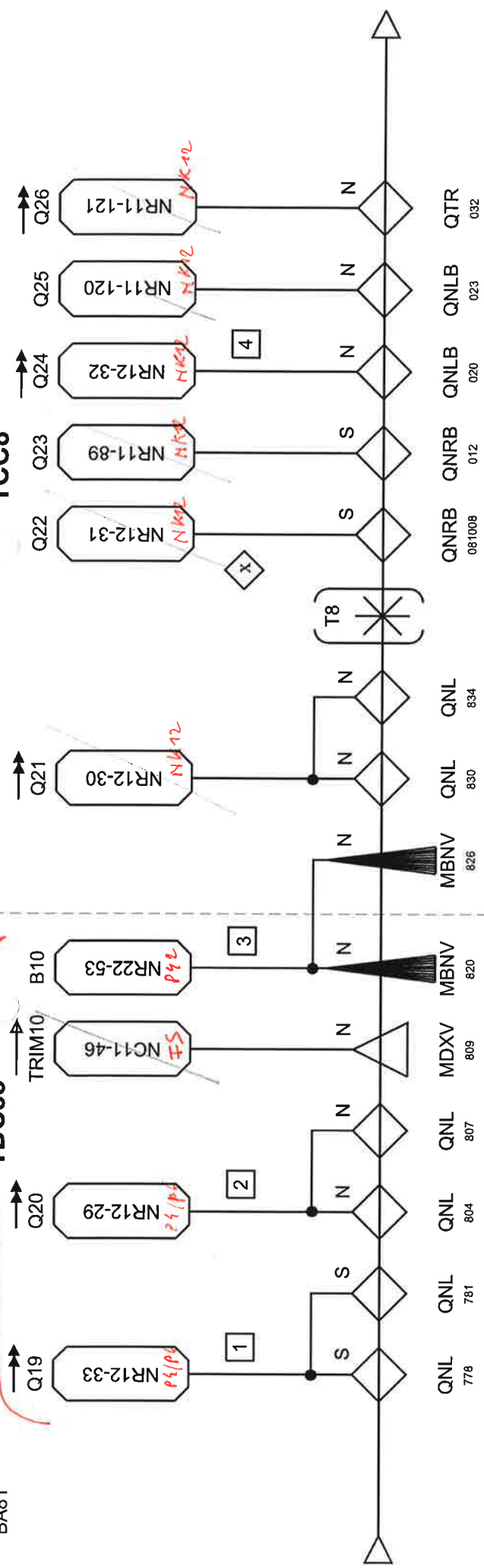
2/5

*Aimants encore installés 26/09/2011*

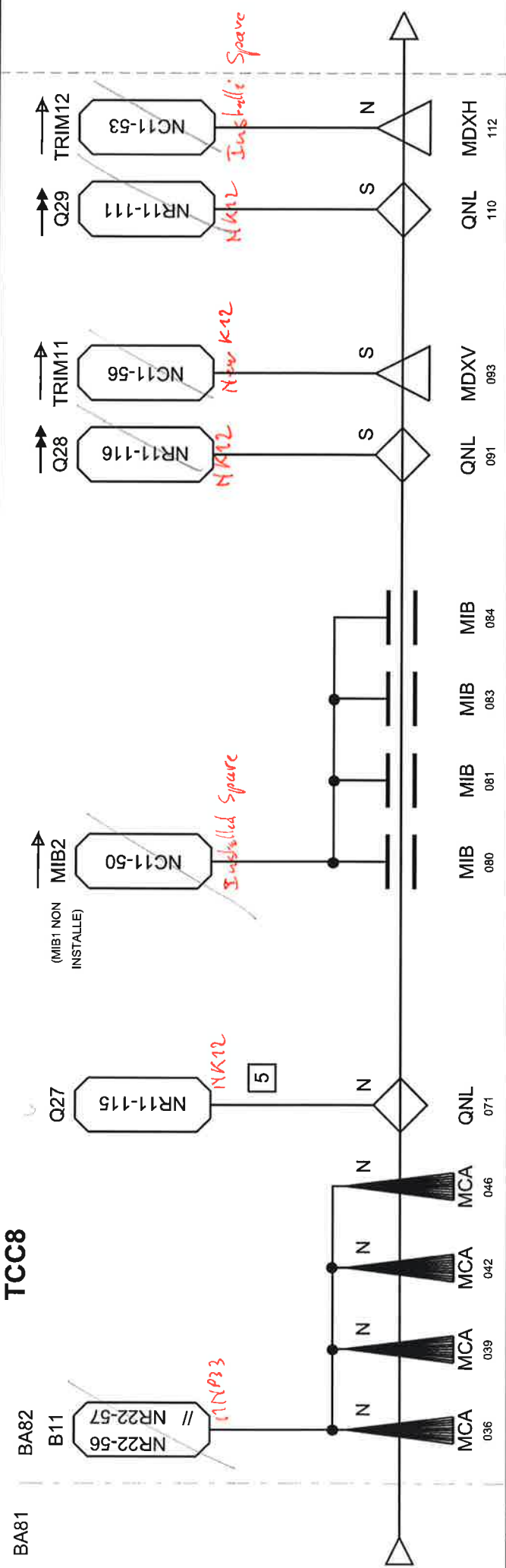
BA81

**TDC85**

**TCC8**



**TCC8**



1 FONCT. ALTERNÉ P42-P62-K12  
redresseur et TB alternés

**ZONE NORD - FAISCEAU P41:P61(2007)**

044...081...

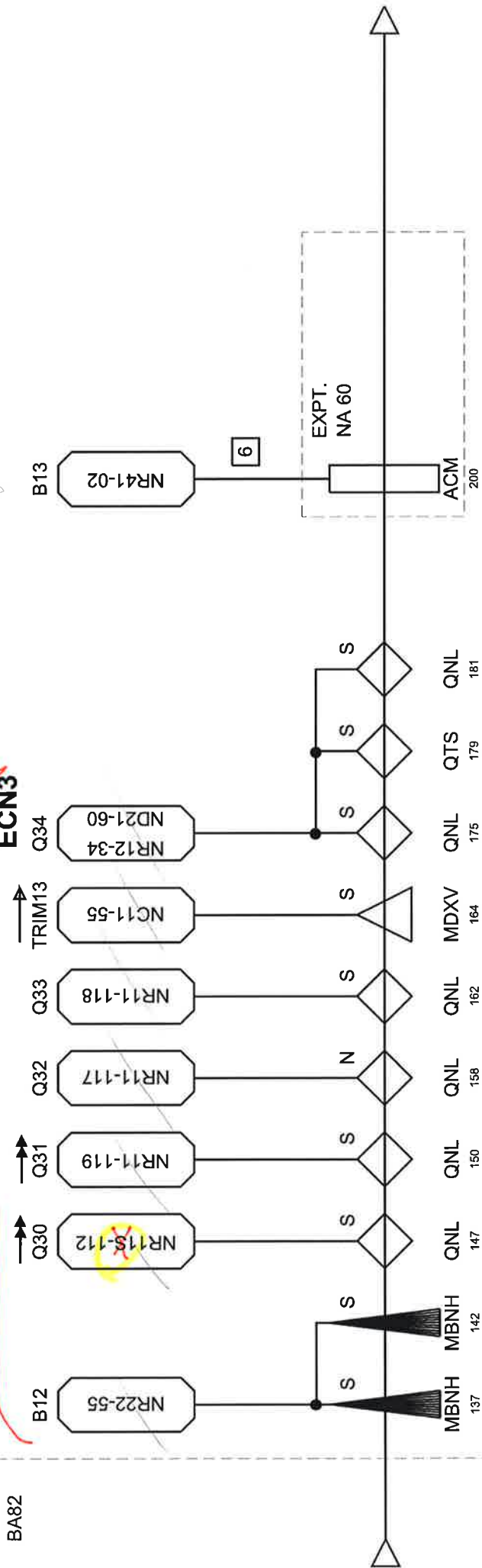
10/04/08 3/5

13



Passis ← Installed-Spare le 26/3/2012

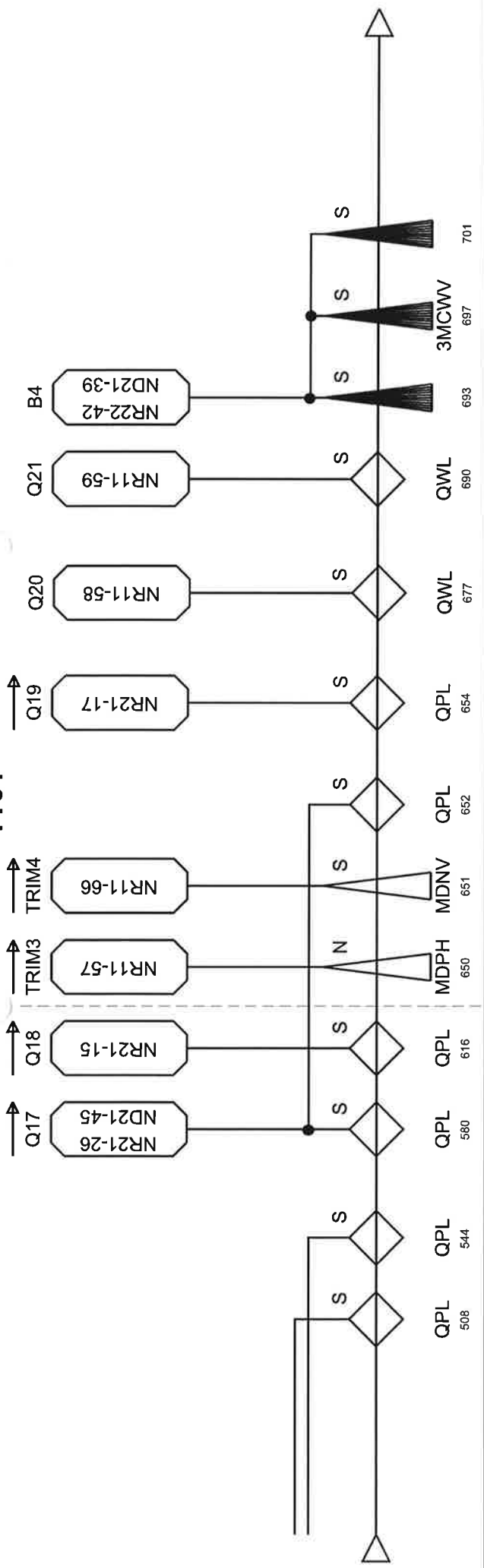
ECN3



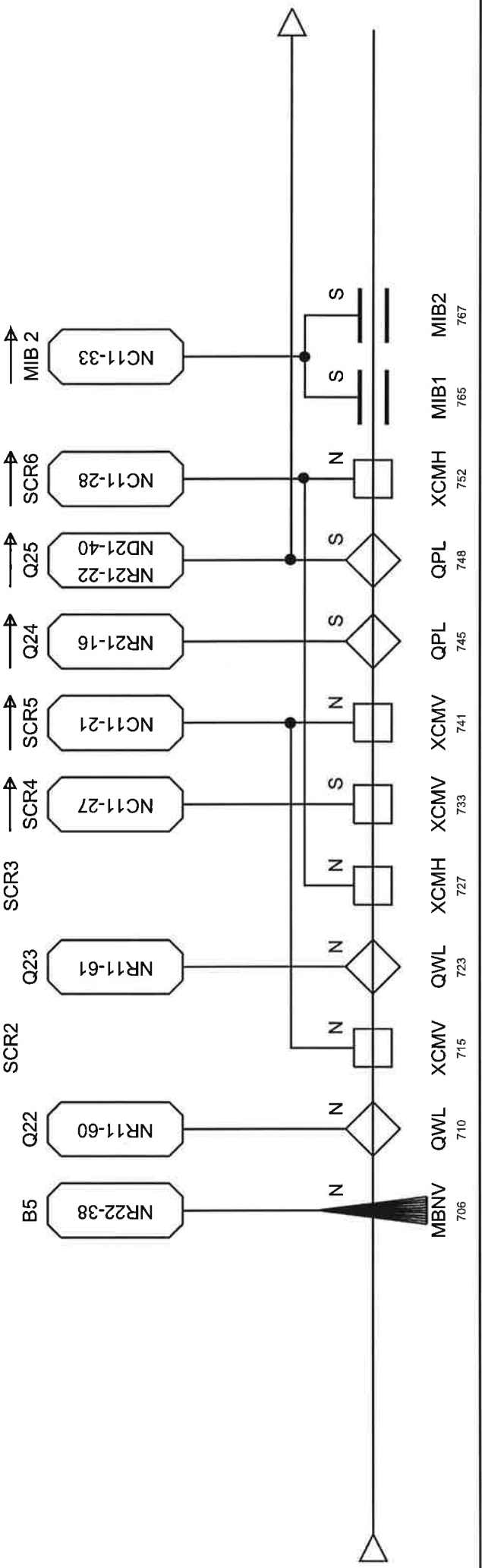




**TT84**

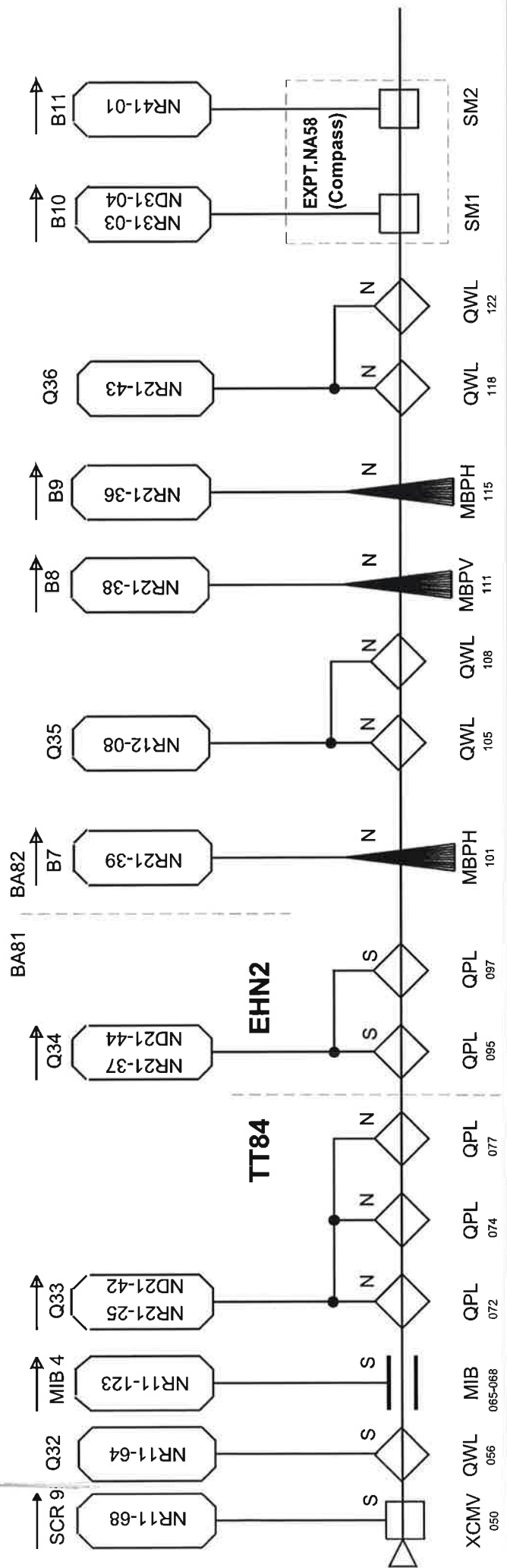
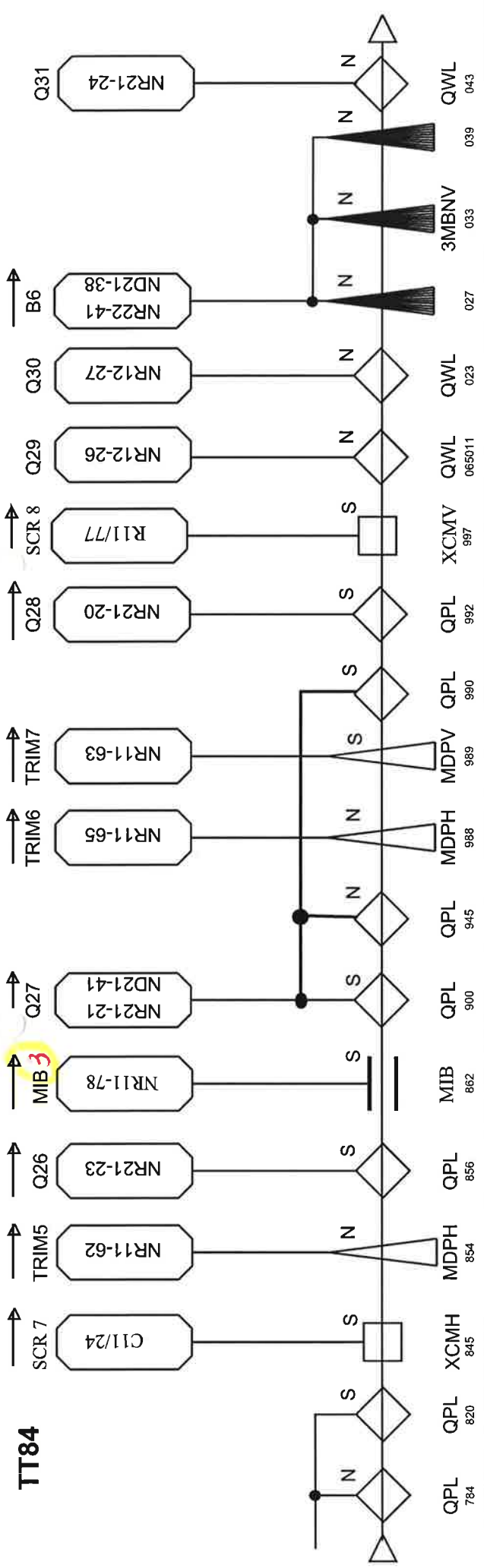


**TT84**



**ZONE NORD - FAISCEAU M2 (2007)**

061...



**ZONE NORD - FAISCEAU M2 (2007)**